

EZ DB AR
S E R I E S


ENGINEERED BUILDINGS

Profile Guide



BRIGHTER
BY DESIGN





Our innovative engineered buildings are the perfect solution for all your storage and protection needs. Talk with one of our experts about your project to find the model that best suits your needs.

1 (888) 427-6647

UNIQUE ENGINEERING

MegaDome® buildings are the affordable alternative to any type of conventional building, plus they can be installed for a fraction of the time and cost. Our fabric structures are known for their reliability, versatility and durability.



BUILDINGS ADAPTED TO YOUR NEEDS

Our fabric structures are easily adapted to meet the needs of a diverse range of business sectors. Our models can be built as temporary structures or made to measure, always meeting the building code requirements in your area.

OUR SERVICES

Our services offers a complete solution under one roof.



Personalized support at every step



After-sale service



Complete installation



Maintenance and repair services



In-house engineering service



Flexible design

INNOVATIVE FEATURES

Galvanized steel structure

Our structures are corrosive-resistant and can also be galvanized by hot dipping after welding for unmatched protection and durability.

No central column and large wall clearance

The structure provides a clear, open space to facilitate the circulation of machinery and staff while also offering a large storage surface.

Protective PowerShield® membrane

The PowerShield® membrane allows natural light to penetrate the building easily all year long. This reduces the need for artificial light, which can add up to considerable energy savings.

PERSONALIZED ADVICE

We offer unparalleled customer service and support at every step, from ordering your structure all the way through installation and after-sales service. Each of our series comes in a variety of models with a diverse range of options.

MULTIPLE USES FOR ALL BUSINESS SECTORS

Agricultural

- Livestock
- Storage
- Equestrian

Municipal

- Storage and public works
- Ports
- Sports, recreation and events

Industrial

- Commercial
- Storage
- Mining, oil and energy
- Environment

EZ SERIES

The temporary EZ series features two models adapted to occasional needs, both with quick and easy installation. The galvanized structure offers security and durability.

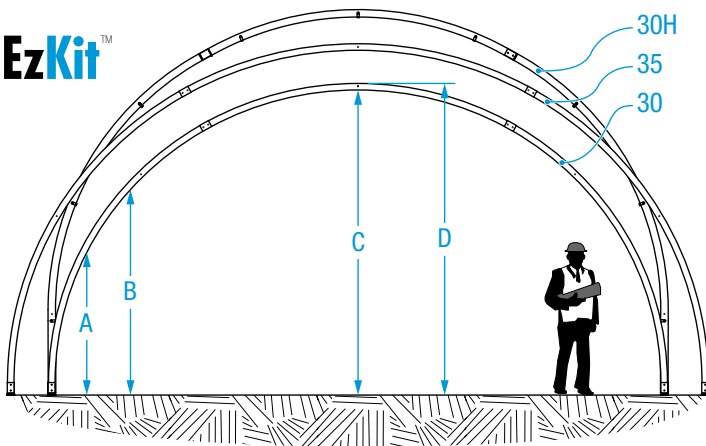


EzKit™

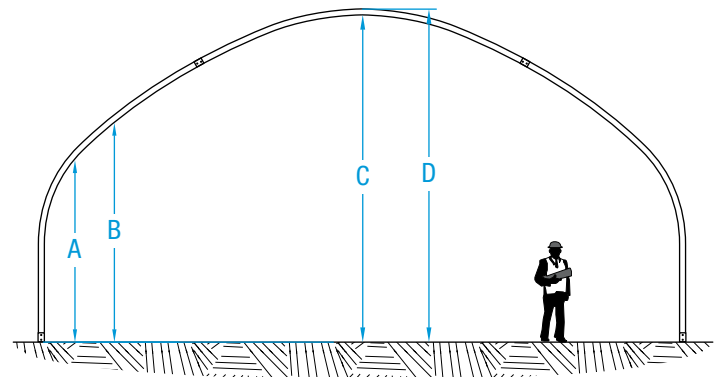
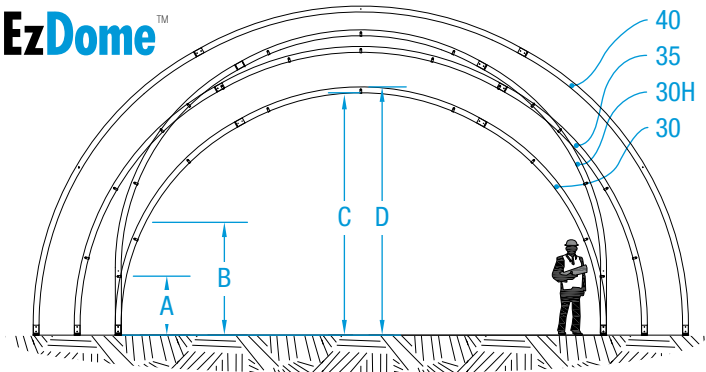


EzDome, width of 40'

Simple arch diameter: 4 5/16"



EzKit™			
Width	30'	30H	35'
Available lengths	40' - 72'	40' - 72'	42' - 72'
Spacing of arches	Every 8'	Every 8'	Every 6'
A (2')	7'9"	11'2"	8'5"
B (4')	10'3"	13'9"	11'3"
C	14'9"	18'3"	17'3"
D	15'2"	18'7"	17'8"



EzDome™				
Width	30'	30H	35'	40'
A (2')	7'9"	11'2"	8'5"	9'0"
B (4')	10'3"	13'9"	11'3"	12'2"
C	14'9"	18'3"	17'3"	19'8"
D	15'2"	18'7"	17'8"	20'1"

EzDome™ 40 gothic	
Width	40'
A (2')	11'5"
B (4')	13'3"
C	20'2"
D	20'7"

DB SERIES

The DB series' modular buildings meet the specific needs of industrial, municipal and agricultural projects, with a double arch structure that provides a durable and economical solution.

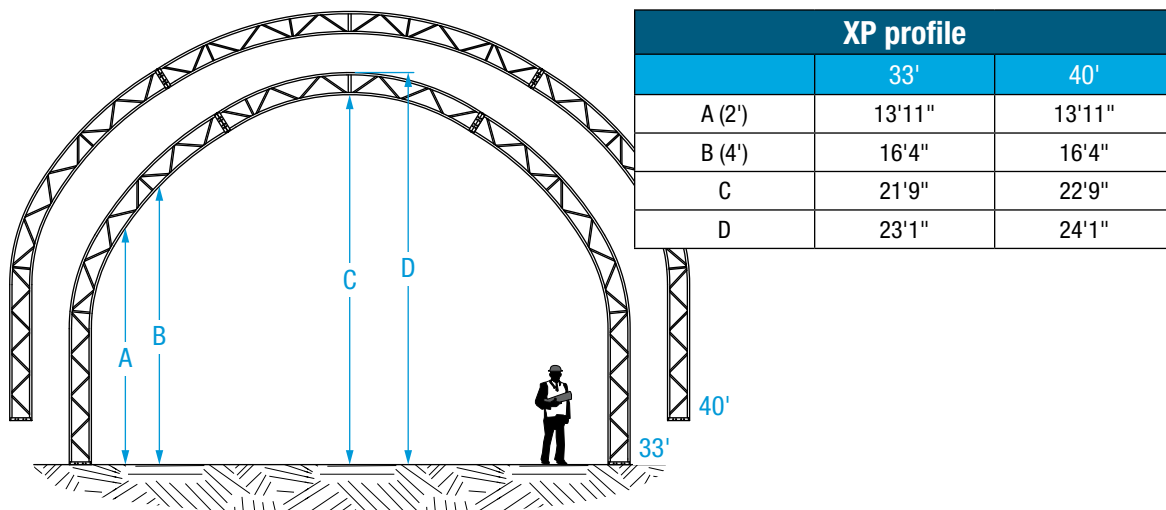
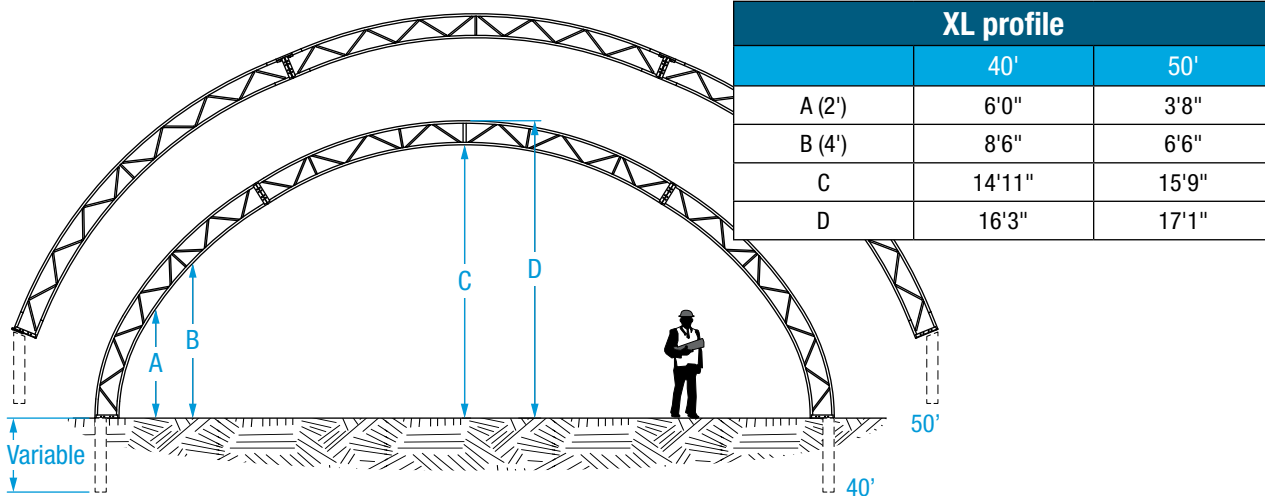


XP profile, width of 80'

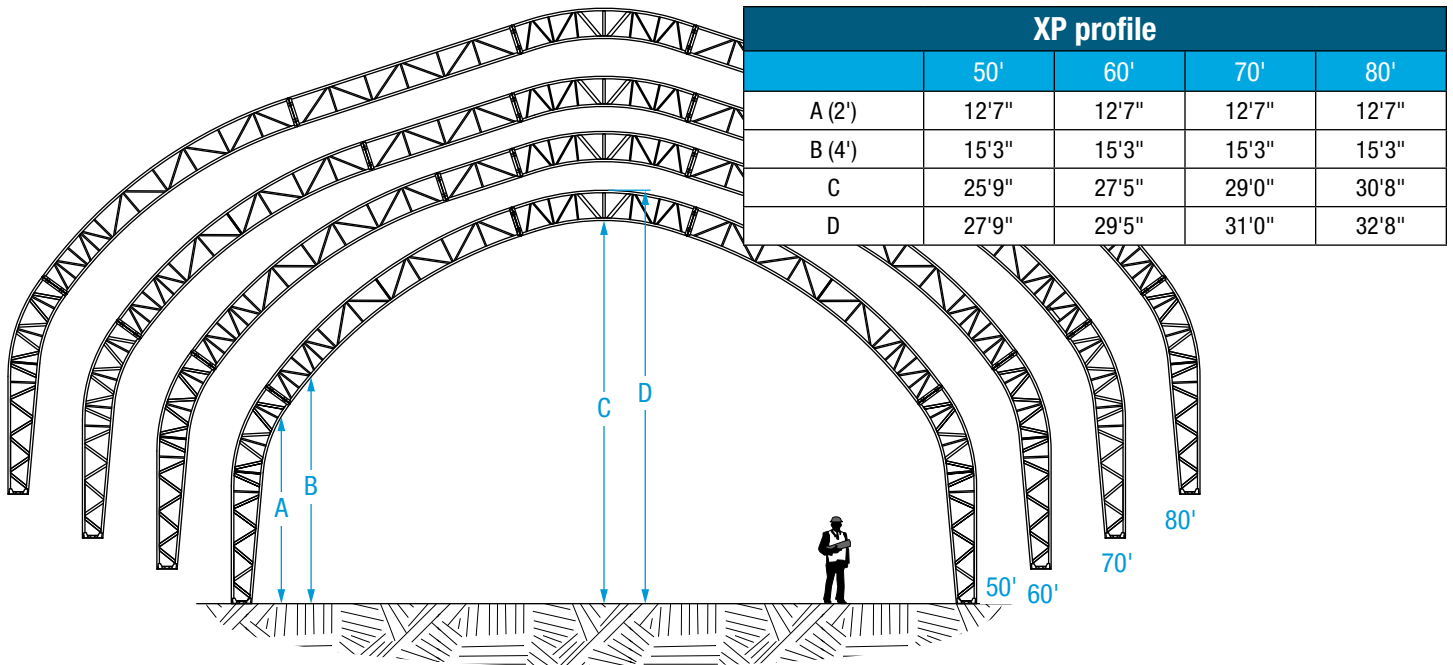
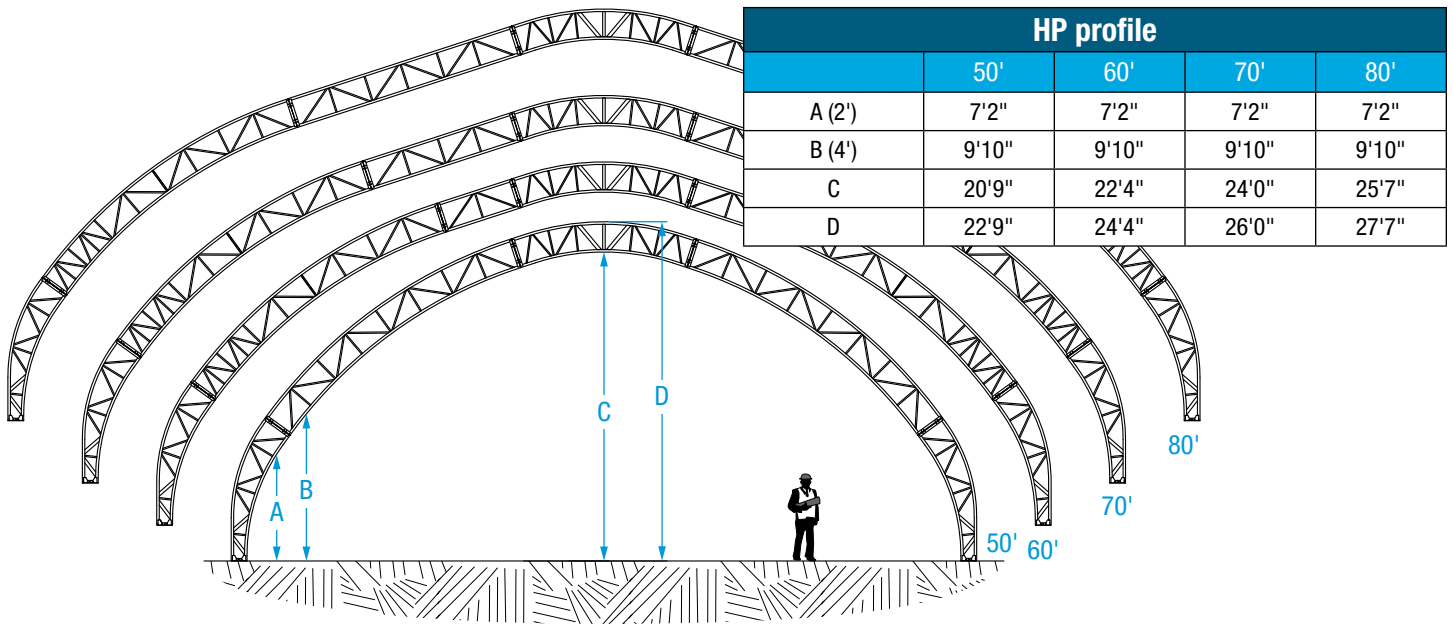


XP profile, width of 40'

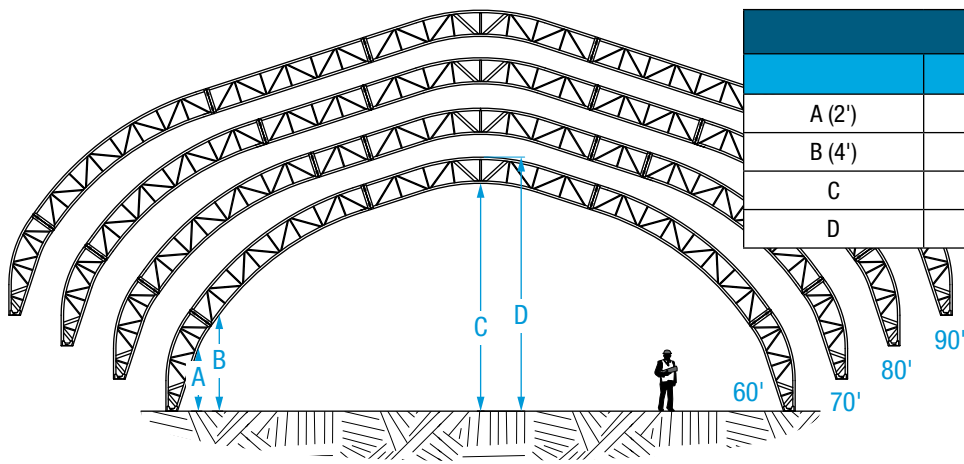
Double arch diameter: 16"



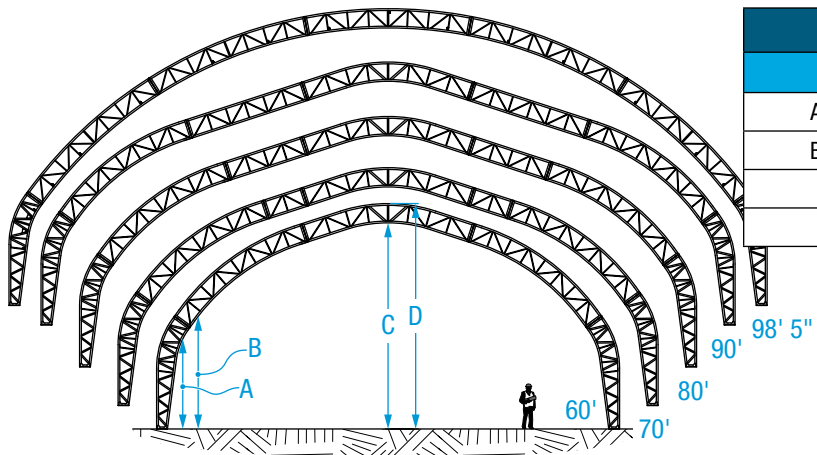
Double arch diameter: 24''



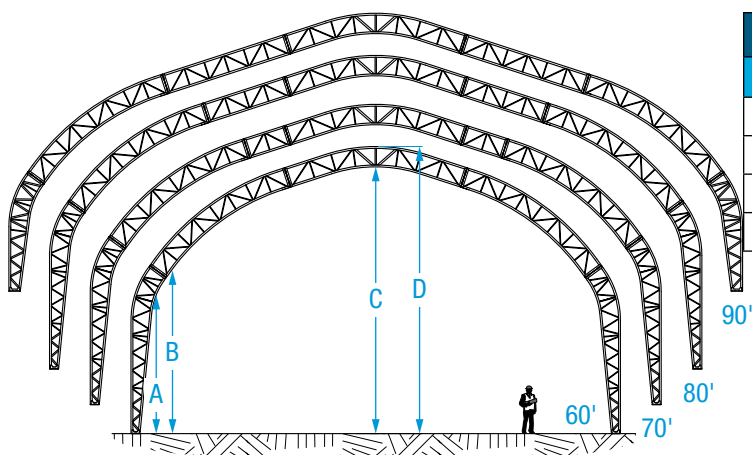
Double arch diameter: 30"



HP profile				
	60'	70'	80'	90'
A (2')	6'1"	6'1"	6'1"	6'1"
B (4')	9'3"	9'3"	9'3"	9'3"
C	21'9"	23'5"	25'0"	26'8"
D	24'3"	25'11"	27'6"	29'2"



XP profile					
	60'	70'	80'	90'	100'
A (2')	11'9"	11'9"	11'9"	11'9"	11'9"
B (4')	14'8"	14'8"	14'8"	14'8"	14'8"
C	26'9"	28'5"	30'0"	31'8"	36'0"
D	29'3"	30'11"	32'6"	34'2"	38'6"



XXP profile				
	60'	70'	80'	90'
A (2')	17'1"	17'1"	17'1"	17'1"
B (4')	20'3"	20'3"	20'3"	20'3"
C	32'9"	34'5"	36'0"	37'8"
D	35'3"	36'11"	38'6"	40'2"

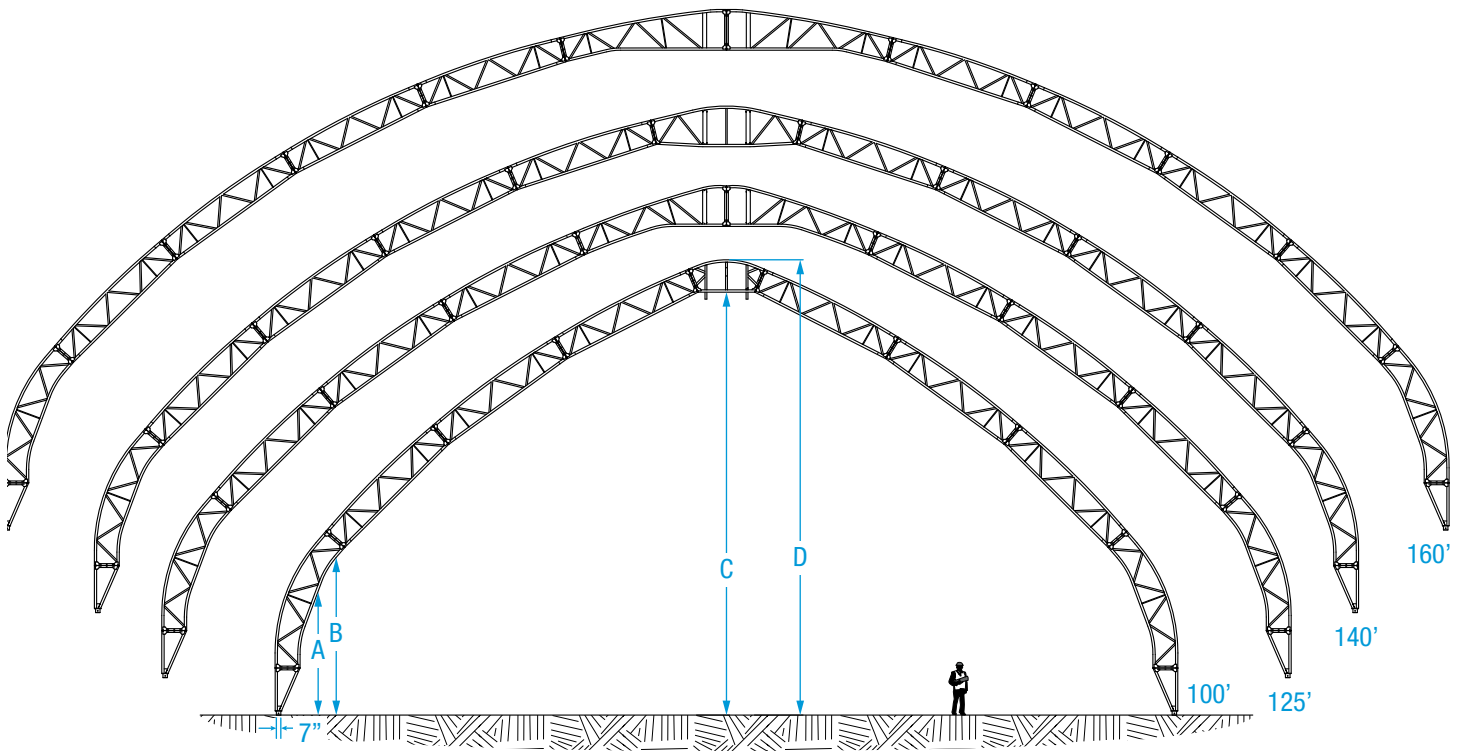


XP profile, width of 80'



XXP profile, width of 80'

Double arch diameter: 33"

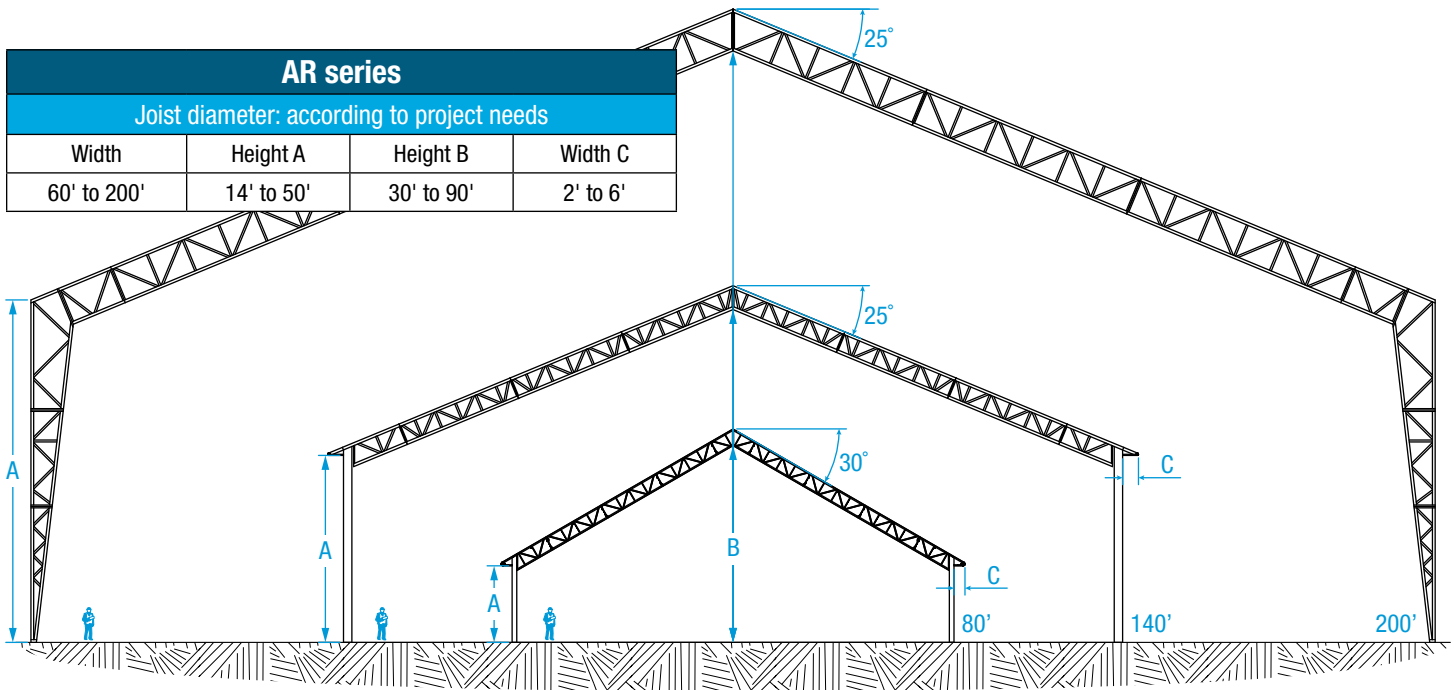


100 series				
	100'	125'	140'	160'
A (2')	13'9"	13'9"	13'9"	13'8"
B (4')	17'6"	17'6"	17'6"	17'5"
C	46'11"	50'0"	51'8"	53'1"
D	50'6"	54'7"	56'2"	57'7"



AR SERIES

The AR series' tailor-made engineering meets very specific industrial, commercial and agricultural requirements. Our specialized engineers develop a customized structure for projects of every size. These permanent buildings bring together the innovative MegaDome® design and all the benefits of conventional buildings.



MegaDome® buildings is a division of Industries Harnois inc., an established leader in the design and manufacturing of innovative steel structures that meet the financial and operational needs of our clients.

For more information, contact your sale representative.
 1044 Principale, Saint-Thomas (Quebec) Canada J0K 3L0
 Toll free : 1 888 427-6647 Fax : 450 756-8389

Information provided in this document is subject to change without notice.



megadomebuildings.com